

CODE NUMBER

24531010

DESCRIPTION

ST-2459 Water Closet and SLOAN 111 Flushometer.

COMPONENTS

- Flushometer: Code 3780000
- Water Closet: Code 2102459

DETAILS

- Flush Volume: 1.6 gpf (6.0 Lpf)
- Nominal Dimensions: 26 ¾" x 15" x 13 ¼" (679 x 381 x 337mm)

FLUSHOMETER FEATURES

- High Chloramine Resistant PERMEX® Synthetic Rubber Diaphragm with Linear Filtered Bypass and Vortex Cleansing Action™
- 1" I.P.S. Screwdriver Bak-Chek® Angle Stop with Vandal Resistant Stop Cap
- Vacuum Breaker with Flush Connection
- Spud Coupling and Spud Flange for 1½" Top Spud
- Sweat Solder Adapter with Cover Tube and Cast Wall Flange
- Non-Hold-Open Handle and No External Volume Adjustment to Ensure Water Conservation
- Diaphragm, Handle Packing and Vacuum Breaker Molded from PERMEX® Rubber Compound for Chloramine Resistance
- ADA Compliant Metal Oscillating Non-Hold-Open Handle

FIXTURE FEATURES

- White Vitreous China
- Elongated bowl
- Wall mounted, wall outlet
- Siphon jet flushing action achieves 1000g Map score when used with any Sloan flushometer
- Static load rating of 750 lbs (see Notes)
- Water spot area: 10½" x 9¾" (26 cm x 24 cm)
- 1½" I.P.S. top spud inlet
- 2½" fully glazed trapway
- Closet bolts and caps included
- Toilet seat not included
- Static load rating of 750 lbs. (See Notes)



COMPLIANCES & CERTIFICATIONS



(ADA Compliant, BAA Compliant, cUPC Green Certified)

DOWNLOADS

- [BPW Exposed Installation Instructions](#)
- [ST-2459 Installation Instructions](#)
- [SS/ST/SU/WETS/WEUS Fixtures Repair and Maintenance Guide](#)
- [Additional Downloads](#)

NOTES

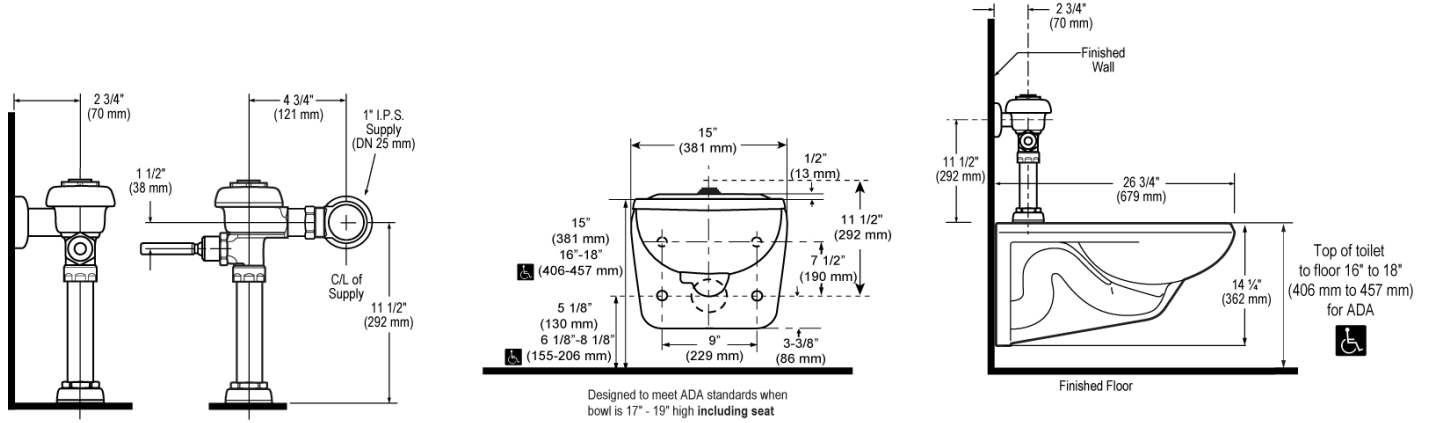
All information contained within this document subject to change without notice.

Static load tested according to the procedure outlined in Section 6.7 of ASME A112.19.2. Not recommended for bariatric use.

Sloan 10500 Seymour Ave, Franklin Park, IL 60131

Phone: 800.982.5839 • Fax: 800.447.8329 • sloan.com

ROUGH-IN



Sloan 10500 Seymour Ave, Franklin Park, IL 60131
 Phone: 800.982.5839 • Fax: 800.447.8329 • sloan.com